

PRODUCT DESCRIPTION

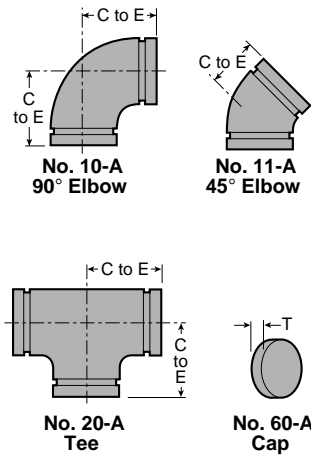


Full flow aluminum fittings are designed with grooved ends for assembly with Victaulic couplings.

Aluminum fittings are available in elbow, tee, cap, and concentric reducer configurations for 1 - 8" (25

- 200 mm) sizes. For other configurations contact Victaulic.

DIMENSIONS



21.03-1A

Nominal Size Inches mm	Pipe O.D. Inches mm	No. 10-A 90° Elbow		No. 11-A 45° Elbow		No. 20-A Tee		No. 60-A † Cap	
		C to E Inches mm	Aprx. Wgt. Ea. Lbs. kg	C to E Inches mm	Aprx. Wgt. Ea. Lbs. kg	C to E Inches mm	Aprx. Wgt. Ea. Lbs. kg	Thick. T Inches mm	Aprx. Wgt. Ea. Lbs. kg
1 25	1.315 33	2.25 57	0.2 0.1	1.75 44	0.1 0.1	2.25 57	0.4 0.2	0.88 22	0.1 0.1
1½ 40	1.900 48	2.75 70	0.4 0.2	1.75 44	0.3 0.1	2.75 70	0.7 0.3	0.88 22	0.2 0.1
2 50	2.375 60	3.25 83	0.7 0.3	2.00 51	0.5 0.2	3.25 83	1.0 0.5	0.88 22	0.3 0.1
2½ 65	2.875 73	3.75 95	1.0 0.5	2.25 57	0.7 0.3	3.75 95	1.5 0.7	0.88 22	0.3 0.1
3 80	3.500 89	4.25 108	1.6 0.7	2.50 64	1.3 0.6	4.25 108	2.3 1.0	0.88 22	0.5 0.2
4 100	4.500 114	5.00 127	3.0 1.4	3.00 76	1.9 0.9	5.00 127	4.1 1.9	1.00 25	1.0 0.4
5 125	5.563 141	5.50 140	5.2 2.4	3.25 83	3.3 1.5	5.50 140	6.7 3.0	1.00 25	2.1 1.0
6 150	6.625 168	6.50 165	6.5 3.0	3.50 89	5.2 2.4	6.50 165	9.1 4.1	1.00 25	3.0 1.4
8 200	8.625 219	7.75 197	14.0 6.4	4.25 108	8.2 3.7	7.75 197	18.4 8.4	1.19 30	6.0 2.7

† Cap does not extend beyond coupling when assembled.

DIMENSIONS

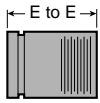
Reducers

No. 50-A

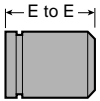


Reducer Size Inches/millimeters	E to E Inches/millimeters	Aprx. Weight Each Lbs./kg
1½ X 1 40 X 25	2.50 64	0.2 0.1
2 X 1 50 X 25	2.50 64	0.2 0.1
X 1½ X 40	2.50 64	0.3 0.1
3 X 1 80 X 25	2.50 64	0.7 0.3
X 2 X 50	2.50 64	0.6 0.3
X 2½ X 65	2.50 64	0.5 0.2
4 X 2 100 X 50	3.00 76	0.9 0.4
X 2½ X 65	3.00 76	1.1 0.5
X 3 X 80	3.00 76	1.0 0.5
6 X 3 150 X 80	4.00 102	2.3 1.0
X 4 X 100	4.00 102	2.3 1.0
8 X 4 200 X 100	5.00 127	6.0 2.7
X 6 X 150	5.00 127	6.0 2.7

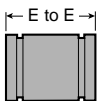
Adapter Nipples



No. 40-A
Grooved X Threaded



No. 42-A
Grooved X Beveled



No. 43-A
Grooved X Grooved

Nipple* Size Inches/millimeters	E to E † Inches/millimeters	Aprx. Weight Each Lbs./kg
1 25	3.00 76	0.3 0.1
1½ 40	4.00 102	0.4 0.2
2 50	4.00 102	0.5 0.2
2½ 65	4.00 102	0.6 0.3
3 80	4.00 102	0.8 0.4
4 100	6.00 152	1.5 0.7
5 125	6.00 152	2.5 1.1
6 150	6.00 152	3.3 1.5
8 200	6.00 152	5.0 2.3

* Made of standard weight aluminum pipe.

† Other lengths available. Contact Victaulic for details.

MATERIAL SPECIFICATIONS

Fittings: Aluminum, ASTM B-26, 356-T6 alloy.

Nipples: Aluminum pipe conforming to ASTM B-210, alloy 6061T6 or 6063T6, standard weight.

This product shall be manufactured by Victaulic Company. All products to be installed in accordance with current Victaulic installation/assembly instructions. Victaulic reserves the right to change product specifications, designs and standard equipment without notice and without incurring obligations.