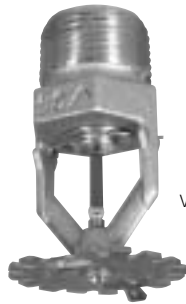


V34, K14.0

Model V3421
(ECOH)

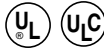
Extended Coverage/Ordinary Hazard
Pendent and Recessed Pendent
Standard Response

PRODUCT DESCRIPTION



V3421

Pendent



V3421

Recessed
Pendent

Model V34 ECOH sprinklers are designed to protect ordinary hazard occupancies with a maximum coverage area of 400 square feet with unobstructed or non-combustible obstructed ceiling construction as permitted by NFPA 13. These sprinklers have been fire tested to compare their performance with that of standard coverage ordinary hazard sprinklers with a maximum coverage area of 130 square feet and 15 foot spacing. The results show that the protection provided by V3421 sprinklers is equivalent to or exceeding that of standard spray sprinklers. The design incorporates state-of-the-art, heat responsive, frangible glass bulb design for prompt, precise operation.

The die cast frame is more streamlined and attractive than traditional sand cast frames. It is cast with a hex-shaped wrench boss to allow easy tightening from many angles, reducing assembly effort. This sprinkler is

available in various temperature ratings (see chart on page 2) and finishes to meet many design requirements.

Sprinkler Operation

The operating mechanism is a frangible glass bulb which contains a heat responsive liquid. During a fire, the ambient temperature rises causing the liquid in the bulb to expand. When the ambient temperature reaches the rated temperature of the sprinkler, the bulb shatters. As a result, the waterway is cleared of all sealing parts and water is discharged towards the deflector. The deflector is designed to distribute the water in a pattern that is most effective in controlling the fire.

Coverage

Extended spray coverage is up to 400 square feet (37,2 sq. m) per NFPA 13.

Installation Requirements

Extended Coverage Ordinary Hazard sprinklers shall be installed in accordance with the

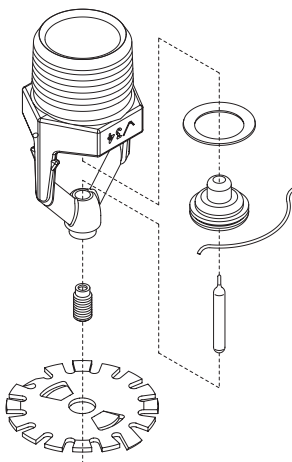
guidelines in NFPA 13 using no less than the minimum allowable density for the hazard group and coverage area as outlined in the Coverage Area/Density section of the submittal.

According to NFPA 13, Extended Coverage Ordinary Hazard sprinklers are intended for installation with not less than 18" (457,2 mm) clearance between the sprinkler deflector and the top of the commodity in Ordinary Hazard group 1 and 2 occupancies.

Under unobstructed construction, the distance between the sprinkler deflector and the ceiling shall be a minimum of 1" (25,4 mm) and a maximum of 12" (304,8 mm).

Under obstructed construction, the sprinkler deflector shall be located 1" - 6" (25,4 - 152,4 mm) below the structural members and a maximum distance of 22" (558,8 mm) below the ceiling/ roof deck.

TECHNICAL SPECIFICATIONS



Exaggerated for Clarity

Model: V3421

Style: ECOH - Pendent and Recessed Pendent

Nominal Orifice Size: 3/4" (20 mm)

K-Factor: 14.0 Imp. (20,2 S.I.^)

Nominal Thread Size: 3/4" NPT (20 mm)

Max. Working Pressure: 175 psi (1200 kPa)

Factory Hydrostatic Test: 100% @ 500 psi (3450 kPa)

Min. Operating Pressure: 7,8 psi (53,8 kPa)

Temperature Rating: See chart on page 2.

MATERIAL SPECIFICATIONS

Pendent Deflector:

UNS C51000

Bulb: Glass with glycerin solution.

Bulb Nominal Diameter: 3,0 mm

Load Screw: UNS C65100

Pip Cap: CW602N brass alloy

Spring: Beryllium nickel

Seal: Teflon* tape

Frame: Die cast brass 65-30

Lodgement Spring: UNS S30200

ACCESSORIES

Installation Wrench:

Open End: V34

Recessed: V34

Sprinkler Finishes:

Plain brass

Chrome plated

White painted**

Custom painted**

For escutcheons, boxes and other accessories refer to separate sheet.

NOTE: Weather resistant recessed escutcheons available upon request.

^ For K-Factor when pressure is measured in Bar, multiply S.I. units by 10.0.

*Teflon is a registered trademark of Dupont Co.

** UL Listed for corrosion resistance in all configurations

VICTAULIC® IS AN ISO 9001 CERTIFIED COMPANY

Victaulic Company of America
Phone: 1-800-PICK-VIC (1-800-742-5842)
Fax: 610-250-8817
e-mail: pickvic@victaulic.com

Victaulic Company of Canada
Phone: 905-884-7444
Fax: 905-884-9774
e-mail: viccanada@victaulic.com

Victaulic Europe
Phone: 32-9-381-1500
Fax: 32-9-380-4438
e-mail: viceuro@victaulic.be

Victaulic America Latina
Phone: 610-559-3300
Fax: 610-559-3608
e-mail: vical@victaulic.com

Victaulic Asia Pacific
Phone: 65-6235-3035
Fax: 65-6235-0535
e-mail: vicap@victaulic.com

APPROVALS/LISTINGS

Model	Orifice Size Inches/mm	Nominal K-Factor Imperial S.I. [^]	Response	Deflector Type	Approved Temperature Ratings ‡ <i>(Refer to notes below.)</i>			
					Room Size – Feet/meters			
					14 × 14 4,3 × 4,3	16 × 16 4,9 × 4,9	18 × 18 5,5 × 5,5	20 × 20 6,1 × 6,1
V3421	¾ 20	14.0 20,2	Standard	Pendent	1 - A	1 - A	1 - A	1 - A
V3421	¾ 20	14.0 20,2	Standard	Recessed Pendent Up to ¾" Adjustment	1 - A	1 - A	1 - A	1 - A

‡ Listings and approval as of printing. Not all temperature rating combinations are Approved or Listed. Check Victaulic for specific combinations.

[^] For K-Factor when pressure is measured in Bar, multiply S.I. units by 10.0.

NOTES	
Approval	Temperature Rating
1 - UL/ULC	A - 155°F (68°C), 175°F (79°C), 200°F (93°C), 286°F (141°C)

RATINGS

All glass bulbs are rated for temperatures from -67°F (-55°C) to those shown in adjacent table.

Sprinkler Temperature Classification	Victaulic Part Identification	Temperature – °F/°C		Glass Bulb Color
		Nominal Temperature Rating	Maximum Ambient Temp. Allowed	
Ordinary	C	155 68	100 38	Red
Intermediate	E	175 79	150 65	Yellow
Intermediate	F	200 93	150 65	Green
High	J	286 141	225 107	Blue

ORDERING INFORMATION

Please specify the following when ordering:

- | | | |
|---|--------------------------------------|--|
| <input type="checkbox"/> Sprinkler Model Number | <input type="checkbox"/> K-Factor | <input type="checkbox"/> Sprinkler Finish |
| <input type="checkbox"/> Style | <input type="checkbox"/> Thread Size | <input type="checkbox"/> Escutcheon Finish |
| <input type="checkbox"/> Temperature Rating | <input type="checkbox"/> Quantity | <input type="checkbox"/> Wrench Model Number |

WARNING

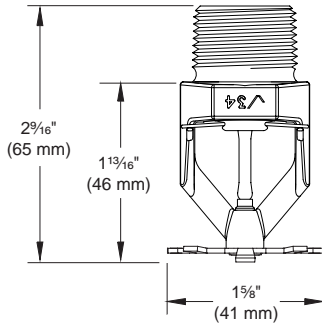


- Always read and understand installation, care, and maintenance instructions, supplied with each box of sprinklers, before proceeding with installation of any sprinklers.
 - Always wear safety glasses and foot protection.
 - Depressurize and drain the piping system before attempting to install, remove, or adjust any Victaulic piping products.
 - Installation rules, especially those governing obstruction, must be strictly followed.
 - Painting, plating, or any re-coating of sprinklers (other than that supplied by Victaulic) is not allowed.
- Failure to follow these instructions could result in serious personal injury and/or property damage.

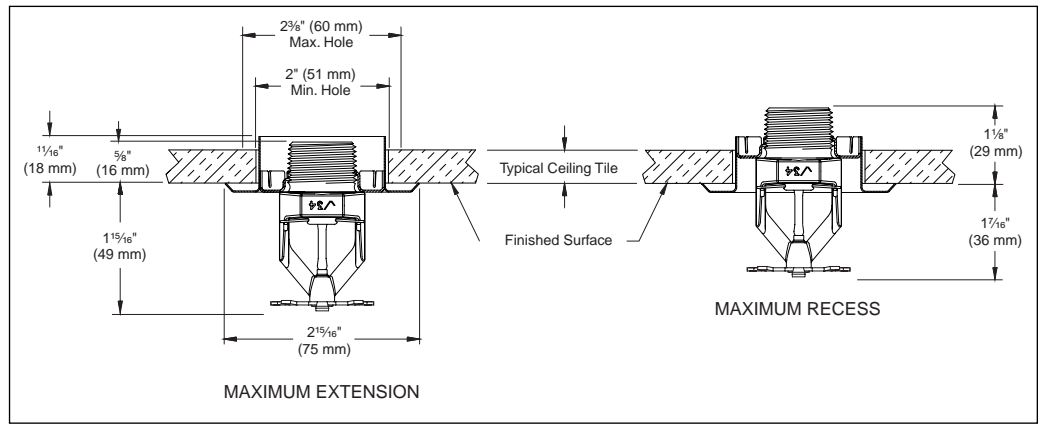
The owner is responsible for maintaining the fire protection system and devices in proper operating condition. For minimum maintenance and inspection requirements, refer to the current National Fire Protection Association pamphlet that describes care and maintenance of sprinkler systems. In addition, the authority having jurisdiction may have additional maintenance, testing, and inspection requirements that must be followed.

If you need additional copies of this publication, or if you have any questions about the safe installation of this product, contact Victaulic World Headquarters, P.O. Box 31, Easton, Pennsylvania 18044-0031, 610-559-3300.

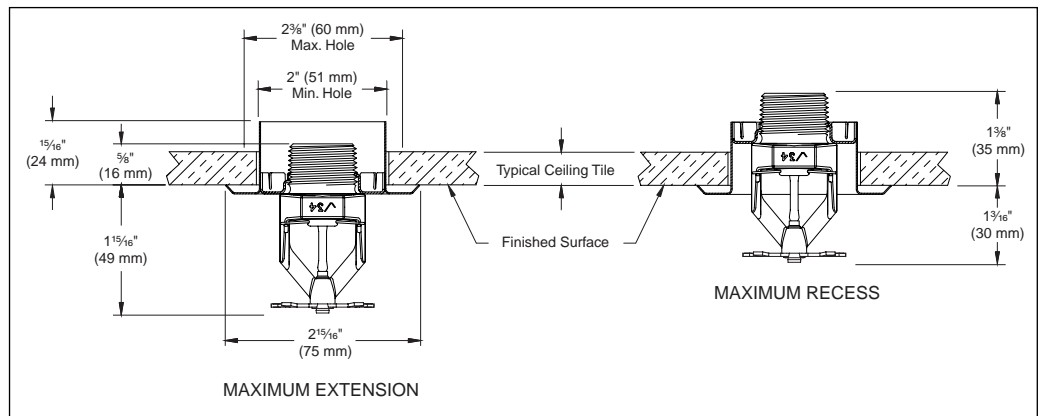
DIMENSIONS



**Standard Pendant
V3421**



**1/2" Adjustment
Recessed – V3421
(Drawing not to scale)**



**3/4" Adjustment
Recessed – V3421
(Drawing not to scale)**

AVAILABLE WRENCHES

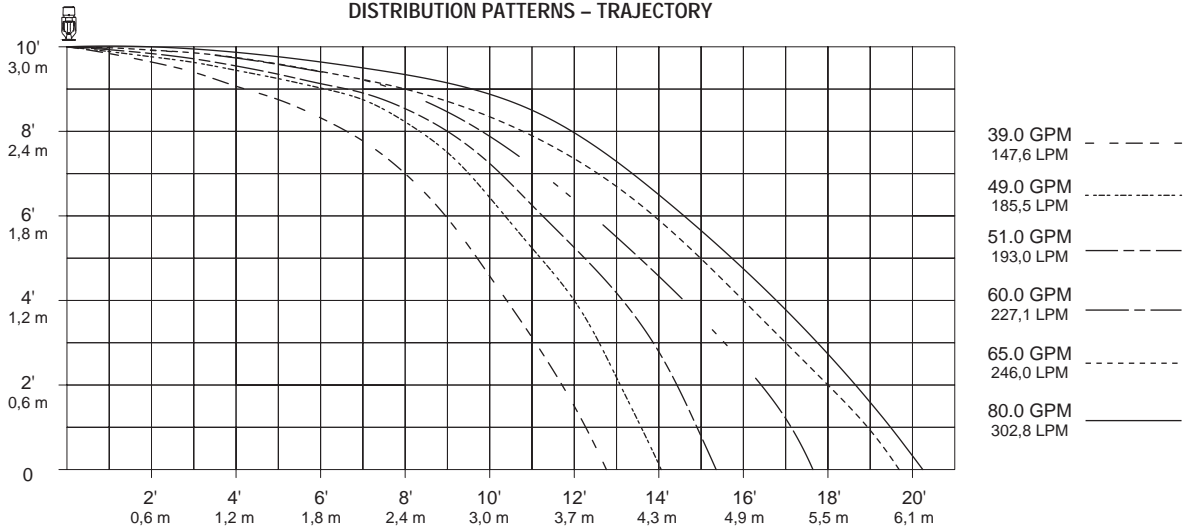
	V34 Open End	V34 Recessed
Pendent	✓	✓
Recessed Pendent	–	✓

COVERAGE AREA/DENSITY

SPRINKLER PERFORMANCE FLOW AND PRESSURE (MINIMUM) V3421				
Coverage Area Feet/m	Ordinary Hazard Group 1		Ordinary Hazard Group 2	
	0.15 gpm/sq. ft 6,1 mm/min		0.20 gpm/sq. ft. 8,1 mm/min	
	Flow Rate GPM/lpm	End Sprinkler Pressure psi/kPa	Flow Rate GPM/lpm	End Sprinkler Pressure psi/kPa
14 X 14 4,3 X 4,3	39,0 147,6	7,8 53,8	51,0 193,0	13,3 91,7
16 X 16 4,9 X 4,9	39,0 147,6	7,8 53,8	51,0 193,0	13,3 91,7
18 X 18 5,5 X 5,5	49,0 185,5	12,3 84,8	65,0 246,0	21,6 148,9
20 X 20 6,1 X 6,1	60,0 227,1	18,4 126,9	80,0 302,8	32,7 225,5

DISTRIBUTION PATTERNS

MODEL V3421
K14.0 ECOH PENDENT AND RECESSED PENDENT
DISTRIBUTION PATTERNS – TRAJECTORY



Response	Minimum Installation Spacing Feet/meters
V3421 – Standard	12.0 3.7

NOTES:

1. Data shown is approximate and can vary due to differences in installation.
2. These graphs illustrate approximate trajectories, floor-wetting, and wall-wetting patterns for these specific Victaulic FireLock Automatic Sprinklers. They are provided as information for guidance in avoiding obstructions to sprinklers and should not be used as minimum sprinkler spacing rules for installation. Refer to the appropriate NFPA National Fire Code or the Authority Having Jurisdiction for specific information regarding obstructions, spacing limitations and area of coverage requirements. Failure to follow these guidelines could adversely affect the performance of the sprinkler and will void all Listings, Approvals and Warranties.
3. All patterns are symmetrical to the centerline of the waterway.

WARRANTY

Refer to the Warranty section of the current Price List or contact Victaulic for details.

This product shall be manufactured by Victaulic Company. All products to be installed in accordance with current Victaulic installation/assembly instructions. Victaulic reserves the right to change product specifications, designs and standard equipment without notice and without incurring obligations.