

pressfit[®]

FAST, PERMANENT STAINLESS STEEL PIPE JOINING SYSTEM



The Pressfit system by Victaulic is a revolutionary small diameter, quick connect piping solution that delivers speed, economy and reliability for a variety of air and water applications, including comfort piping, industrial plant, mining, and fire protection systems.

- Uniform mechanical engagement of fitting or valve onto pipe, per ASME B31.1, 31.3 and 31.9 requirements and ANSI class 150 systems up to a maximum of 300 psi/2065 kPa
- Available for Type 304/304L and Type 316/316L Schedule 5 stainless steel pipe
- Sizes Available: ½", ¾", 1", 1½", 2"
15, 20, 25, 40, 50 mm
- Electric or battery powered hand-held pressing tool




Piping. Systems. Solutions.

Applications

WATER

- De-ionized
- Pure
- Service
- Utility
- Cooling
- Potable
- Heating

COMPRESSED AIR

- With or without oil vapors
- Clean Fuel Oxygen

PROCESS CHEMICALS

- Acids/caustics
- Hydrocarbons
- Halogenated hydrocarbons
- Paint systems
- Alcohol
- Inks
- Dyes
- Solvent

WASTE TREATMENT

- Chemical waste
- Sewage
- Chemical feed

The Pressfit system is ideal for a wide variety of process and utility applications requiring the corrosion-resistant properties of stainless steel. Pressfit intergrates well with larger stainless steel piping systems, especially those designed with the Victaulic grooved end products.



Service water



Dry Service Applications

Approvals

ANSI/NSF Standard 61

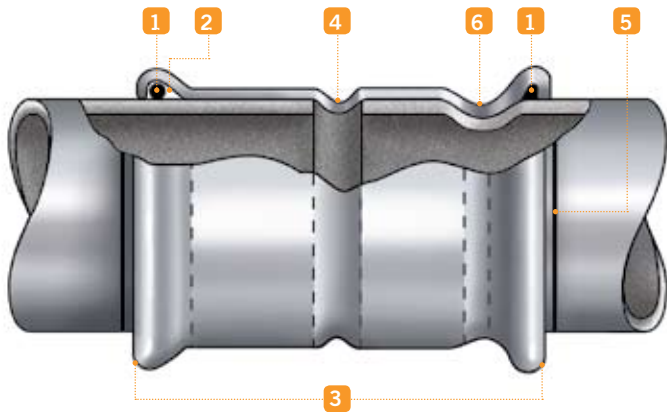


Carbon Steel



The heart of the Pressfit system's design is its precisely molded, synthetic rubber o-ring gasket. A secure, permanent leak-free joint results when the system's o-ring is compressed against the pipe, deforming the pocket holding the o-ring and sealing the fitting to the pipe's outer diameter.

The Pressfit piping system can be "dry-fitted" then permanently connected for fast, time-saving installations, and it easily integrates with our grooved end systems and standard connections for superior system flexibility and scalability.



1 O-RING

Precisely molded gasket made of synthetic rubber in several application grades for a variety of wet and dry services. O-Rings are available in Grade "E" EPDM, Grade "T" Nitrile, and Grade "O" Fluoroelastomer. Request submittal 18.01 and 18.02 for more information.

2 O-RING POCKET

Sized to contain the ring before assembly, the pocket is deformed around the o-ring during compression to fully surround the pipe for a leak-free seal.

4 PIPE STOP

An internal pipe stop locates pipe position to ensure positive joining.

3 HOUSING

Precision formed stainless steel construction incorporating the pipe stop and o-ring. Adapters are available for easy field make-up of fitting combinations to threaded components.

5 INSERTION MARK

A witness mark on the pipe ensures visual verification that the full pipe has been inserted for proper installation.

6 TOOL INDENT

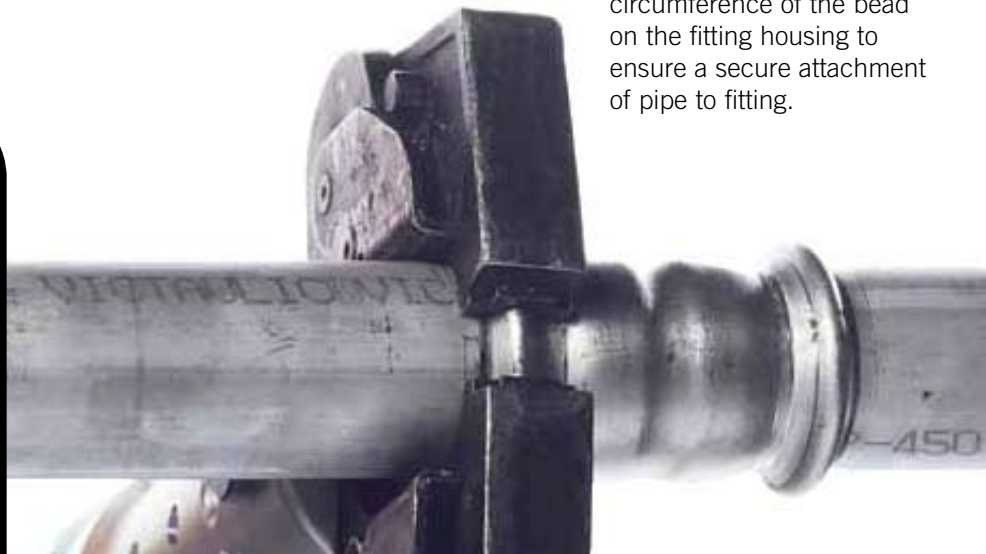
The Pressfit hand tool engages the entire circumference of the bead on the fitting housing to ensure a secure attachment of pipe to fitting.

technology

OF THE PRESSFIT SYSTEM

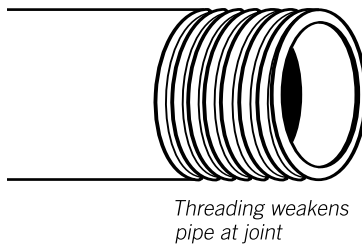
PRESSFIT TOOLS

- Hand-held
- Electric or battery powered
- Well-balanced
- Separate jaw attachment for each size
- Compact steel carrying case



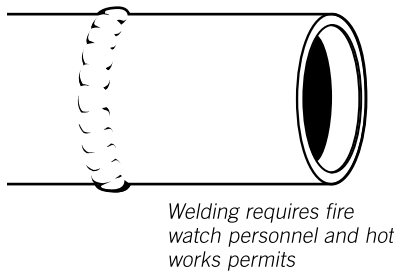


Pressfit delivers real on-the-job pipe joining advantages to fitters and installers – benefits that you won't find in standard threaded, welded or flanged systems.

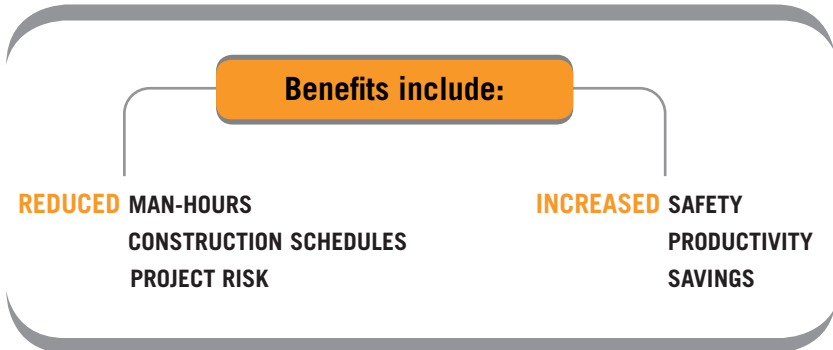


No removal of pipe material

Fitting serves to reinforce pipe at the joint



Flame free,
no fire hazard



For a complete list of Pressfit stainless steel piping system products and specifications, go to www.victaulic.com, or consult documents 18.01 and 18.02. Available globally on IPS systems only.

VICTAULIC

US & World Headquarters
P.O. Box 31
4901 Kessersville Road
Easton, PA 18040

1-800-PICK-VIC
1-610-559-3300
1-610-258-8817 (fax)
www.victaulic.com



WCAS-6X6LPG

PB-500 1277 REV H

VICTAULIC IS A REGISTERED TRADEMARK OF VICTAULIC COMPANY. © 2008 VICTAULIC COMPANY. ALL RIGHTS RESERVED.