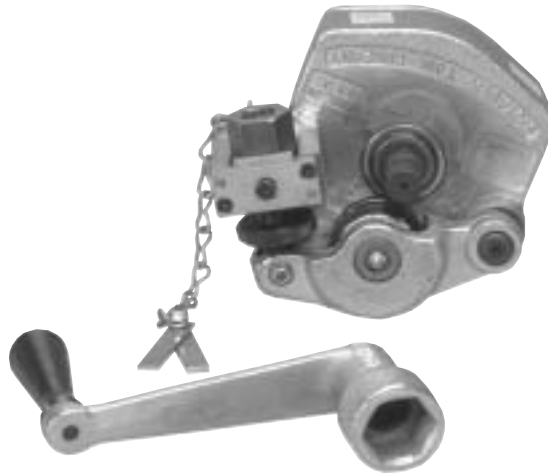


# RP-12

## REPAIR PARTS FOR VE12 Groove-In-Place Groover



**For Steel, Stainless Steel, Aluminum IPS and PVC pipe**

### PARTS ORDERING INFORMATION

When ordering parts the following information is necessary for the Victaulic Tool Company to promptly process the order and send the correct part(s).

1. Tool Model Number VE12
2. Tool Serial Number.  
The Serial Number can be found on the side of the tool.
3. Quantity, Item Number, Part Number, Description.  
Example: (1), 12, R-902-012-A02, Lower Roll Adapter
4. Where to send the part(s).  
Company Name. Address
5. To whose attention to send the part(s).  
Person's Name.
6. Purchase Order Number

Parts may be ordered from the nearest Victaulic Sales Office. Consult the back page of this instruction manual for the nearest Victaulic Sales Office.

**VICTAULIC<sup>®</sup> IS AN ISO 9001 CERTIFIED COMPANY**

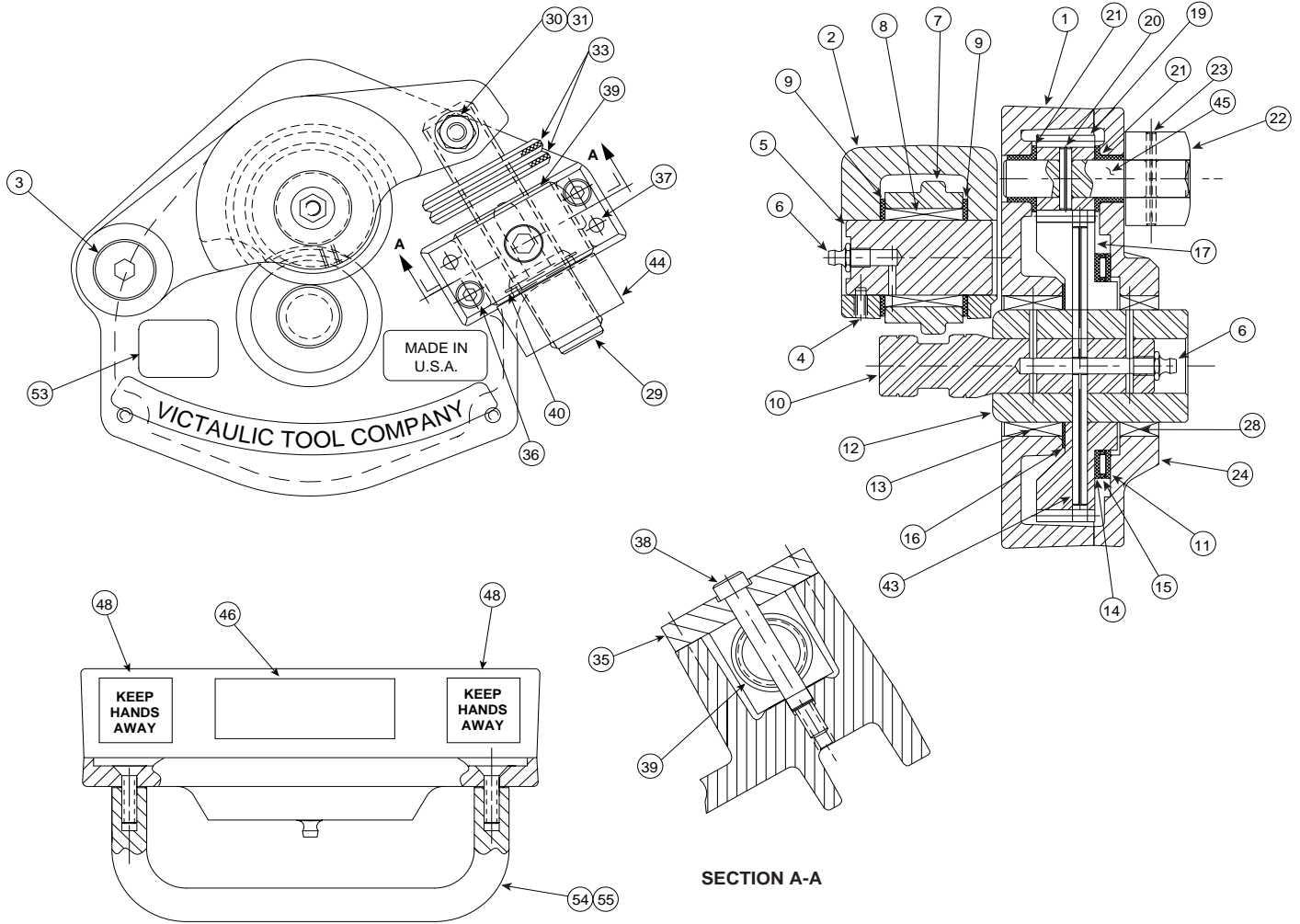
**Victaulic Company of America**  
Phone: 1-800-PICK-VIC (1-800-742-5842)  
Fax: 610-250-8817  
e-mail: pickvic@victaulic.com

**Victaulic Company of Canada**  
Phone: 416-675-5575  
Fax: 416-675-5565  
e-mail: viccanada@victaulic.com

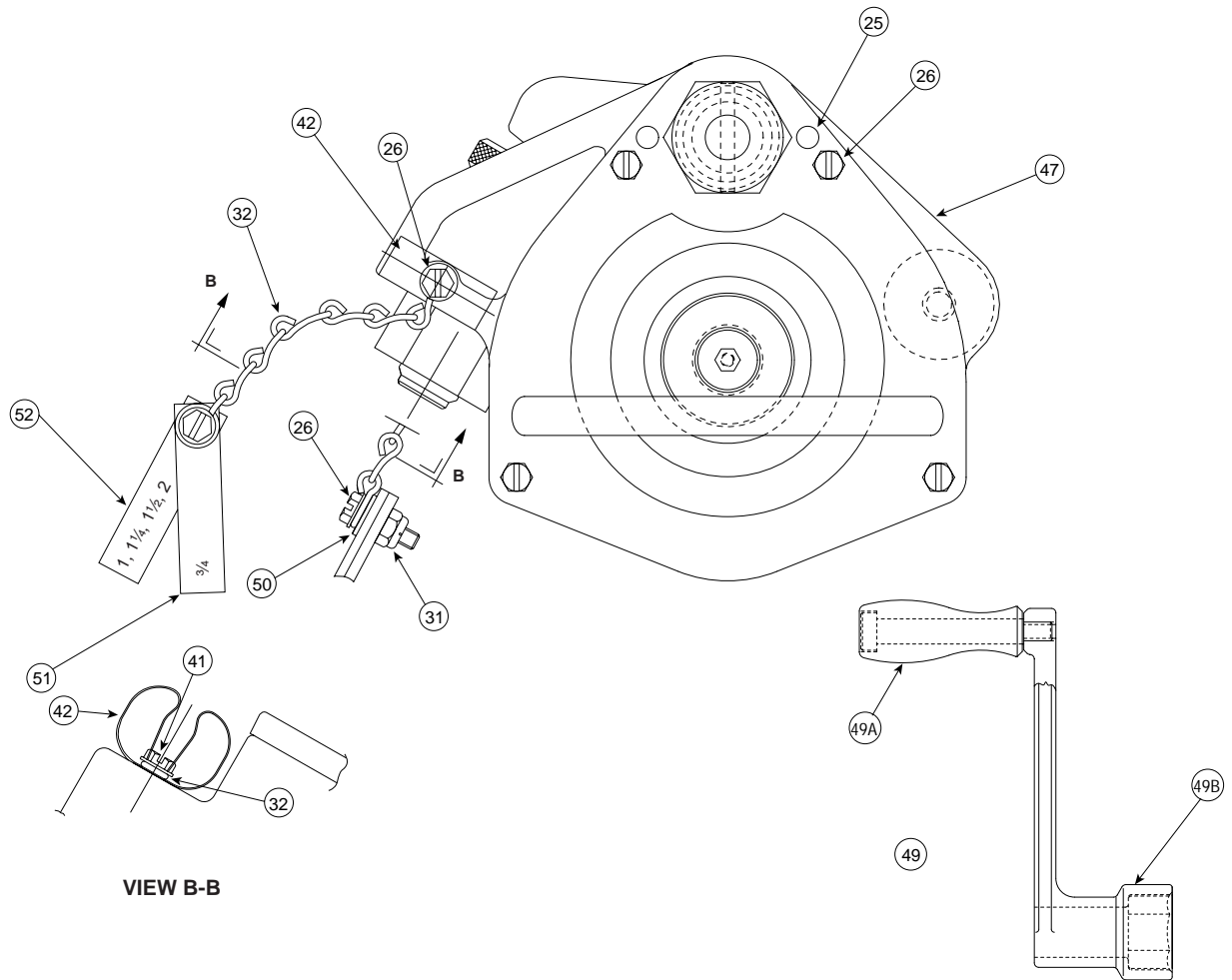
**Victaulic Europe**  
Phone: 32-9-381-1500  
Fax: 32-9-380-4438  
e-mail: viceuro@victaulic.be

**Victaulic America Latina**  
Phone: 610-559-3300  
Fax: 610-559-3608  
e-mail: vical@victaulic.com

**Victaulic Asia Pacific**  
Phone: 65-235-3035  
Fax: 65-235-0535  
e-mail: vicap@victaulic.com



| Item# | Part #        | Qty. | Description  |
|-------|---------------|------|--|
| 1     | R-014-012-MCH | 1    | Gear Housing Machining   |
| 2     | R-002-026-0FS | 1    | Arm Machining  |
| 3     | N-S05-080-012 | 1    | Shoulder Screw, .50 Dia. X .75" Lg.                                  |
| 4     | N-S90-010-006 | 1    | Set Screw, Half Dog Point with Nylon Insert #10 - 24 UNC X 0.38" Lg. |
| 5     | R-008-026-0FS | 1    | Upper Shaft  |
| 6     | N-M01-000-007 | 2    | Grease Fitting, 1/4 - 28 Straight                                    |
| 7     | R-900-012-U02 | 1    | Upper Roll   |
| 8     | N-B02-100-008 | 1    | Bearing  |
| 9     | N-B05-100-002 | 2    | Thrust Washer  |
| 10    | R-901-012-L02 | 1    | Lower Roll   |
| 11    | N-B05-225-001 | 1    | Thrust Washer  |
| 12    | R-902-012-A02 | 1    | Lower Roll Adapter   |
| 13    | N-B02-150-006 | 1    | Bearing  |
| 14    | N-B05-225-002 | 1    | Thrust Washer  |
| 15    | N-B03-225-001 | 1    | Thrust Bearing   |
| 16    | N-B05-150-002 | 1    | Thrust Washer  |
| 17    | R-017-012-MCH | 1    | Gear   |
| 19    | R-015-012-MCH | 1    | Pinion   |
| 20    | N-P80-000-010 | 1    | Roll Pin, 5/32 Dia. X .75" Lg.                                       |
| 21    | N-B21-050-003 | 2    | Flange Bearing   |
| 22    | R-018-026-0FS | 1    | Drive Nut  |
| 23    | N-P01-002-104 | 1    | Roll Pin 1/8 Dia. X 1.25" Lg.  |
| 24    | R-012-012-MCH | 1    | Gear Cover Plate   |
| 25    | N-P02-004-012 | 2    | Dowel Pin, .25 Dia. X .75" Lg.                                       |
| 26    | N-S22-010-012 | 5    | #10 - 24 UNC X .75" Lg. Hex Washer Slotted Head Screw, Pltd.         |
| 28    | N-B02-150-005 | 1    | Bearing  |
| 29    | R-010-026-0FS | 1    | Feed Screw   |



**VIEW B-B**

| Item# | Part #        | Qty. | Description  |
|-------|---------------|------|--|
| 30    | N-S05-040-104 | 1    | Shoulder Screw, .25 Dia. X 1.25" Lg., Blk. Ox.               |
| 31    | N-N15-010-000 | 2    | Elastic Locknut #10 - 24 UNC, Pltd.                          |
| 32    | N-M09-000-005 | 1    | #12 Steel Single Jack Chain, 7 Links                         |
| 33    | R-020-026-0FS | 2    | Depth Stop Collar  |
| 35    | R-013-026-0FS | 1    | Front Plate  |
| 36    | N-S03-010-008 | 2    | Screw, Socket Head Cap, #10 - 24 UNC X .50" Lg., Blk. Ox.    |
| 37    | N-P02-003-012 | 2    | Dowel Pin, .18 Dia. X .75" Lg.                               |
| 38    | N-S05-050-112 | 1    | Shoulder Screw, .31 Dia. X 1.75" Lg., Blk. Ox.               |
| 39    | R-012-026-0FS | 1    | Trunnion   |
| 40    | N-T03-000-012 | 1    | Retaining Ring   |
| 41    | N-S22-010-006 | 1    | #10 - 24 UNC X .38" Lg. Hex Washer Slotted Head Screw, Pltd. |
| 42    | N-T08-000-003 | 1    | Spring Clip  |
| 43    | N-P01-003-112 | 2    | Roll Pin, Heavy Duty, .188 X 1.75" Lg.                       |
| 44    | R-011-026-0FS | 1    | Feed Nut   |
| 45    | R-016-012-MCH | 1    | Pinion Shaft   |
| 46    | R-LAB-000-010 | 1    | Caution Label  |
| 47    | R-LAB-000-009 | 1    | "C" Diameter Label   |
| 48    | R-027-226-0FS | 2    | Label - Keep Hands Away                                      |
| 49    | R-300-026-0FS | 1    | Crank Assembly   |
| 49A   | N-M04-000-016 | 1    | Revolving Handle   |
| 49B   | R-301-026-0FS | 1    | Crank Arm  |
| 50    | N-W01-010-000 | 1    | Flat Washer, #10, Pltd.                                      |
| 51    | R-080-012-0FS | 1    | Gauge for 3/4" Steel Pipe                                    |
| 52    | R-081-012-0FS | 1    | Gauge for 1", 1 1/4", 1 1/2" & 2", Steel Pipe                |
| 53    | R-018-012-MCH | 1    | Serial Number Tag for Steel Groover                          |
| 54    | N-S13-010-010 | 2    | #10 - 32 UNC X .63" Lg. Flat Head Socket Screw, Blk. Ox.     |
| 55    | N-M04-000-001 | 1    | Handle   |



www.victaulic.com

### **Victaulic Tool Company**

#### **Tool Shipments:**

1326 Tatamy Road, Easton, PA 18045-7400

#### **Sales & Lease Payments:**

P.O. Box 8588-244, Phila., PA 19171-0244

### **CUSTOMER CARE CENTER**

Phone: 1-800-PICK-VIC (1-800-742-5842)

e-mail: pickvic@victaulic.com

FAX: 610/923-3090

### **WORLD HEADQUARTERS**

P.O. Box 31 • Easton, PA 18044-0031

4901 Kesslersville Road • Easton, PA, USA 18040

Phone: 610/559-3300 • FAX: 610/250-8817

### **VICTAULIC COMPANY OF AMERICA**

P.O. Box 31 • Easton, PA 18044-0031

Phone: 610/559-3300 • Fax: 610/250-8817

#### **Fire Protection Division Customer Care Centers**

##### ■ **SOUTHEAST FIRE PROTECTION**

Phone: 877/773-8322 • Fax: 877/776-9769

##### ■ **NORTHEAST FIRE PROTECTION**

Phone: 888/265-0805 • Fax: 888/265-0918

##### ■ **CENTRAL FIRE PROTECTION**

Phone: 888/448-3534 • Fax: 888/448-3595

##### ■ **WESTERN FIRE PROTECTION**

Phone: 877/487-7231 • Fax: 877/487-7232

#### **Victaulic Tool Company**

P.O. Box 31 • Easton, PA 18044-0031

Phone: 610/559-3300 • Fax: 610/923-3090

#### **Victaulic Municipal Division**

1818 Vultee Street • Allentown, PA 18103

Phone: 610/559-3488 • Fax: 610/923-3170

#### **Victaulic Construction Piping Services**

1818 Vultee Street • Allentown, PA 18103

Phone: 610/559-3488 • Fax: 610/923-3170

### **United States Distribution Centers**

##### ■ **NEW ENGLAND/NEW YORK METRO**

4901 Kesslersville Road • Easton, PA 18040

Cust.Care: 800/742-5842 • Cust. Fax: 800/437-6573

##### ■ **SOUTHEAST**

650 Coastline Drive • Yulee, FL 32097

Cust.Care: 800/742-5842 • Cust. Fax: 888/201-3468

##### ■ **MIDWEST**

730 Thomas Drive • Bensenville, IL 60106

Cust.Care: 800/742-5842 • Cust. Fax: 888/265-2018

##### ■ **GREAT LAKES**

23107 Commerce Drive • Farmington Hills, MI 48335

Cust.Care: 800/742-5842 • Cust. Fax: 800/564-0119

##### ■ **CENTRAL STATES**

5900 Deramus Avenue • Kansas City, MO 64120

Cust.Care: 800/742-5842 • Cust. Fax: 888/448-3540

##### ■ **MID-CONTINENT**

7177 Railspur Street • Houston, TX 77078

Cust.Care: 800/742-5842 • Cust. Fax: 888/448-3537

##### ■ **PERMIAN BASIN**

2628 Remington Road • Odessa, TX 79763

Local Tel.: 915/332-1489 • Local Fax: 915/332-4924

##### ■ **ROCKY MOUNTAIN**

5045 Paris Street • Denver, CO 80239

Cust.Care: 800/742-5842 • Cust. Fax: 888/448-3528

##### ■ **PACIFIC - NORTH**

22633 83rd Ave. So. • Kent, WA 98032

Cust.Care: 800/742-5842 • Cust. Fax: 888/448-3530

##### ■ **MID-ATLANTIC**

4901 Kesslersville Road • Easton, PA 18040

Cust.Care: 800/742-5842 • Cust. Fax: 800/696-6447

##### ■ **PACIFIC - SOUTH**

20934 So. Santa Fe Ave. • Long Beach, CA 90810

Cust.Care: 800/742-5842 • Cust. Fax: 800/448-3542

### **VICTAULIC COMPANY OF CANADA**

65 Worcester Road • Rexdale, Ontario • Canada M9W 5N7

Phone: 416/675-5575 • FAX: 416/675-5565 • e-mail: viccanda@victaulic.com

#### **Canadian Sales Offices and Service Centers**

##### ■ **EASTERN**

975 rue Selkirk • Pointe Claire, PQ H9R 4S4

Phone: 514/426-3500 • FAX: 514/426-2818

##### ■ **ONTARIO - NORTH**

1070 Elisabella Street • Sudbury, ON P3A 5K2

Phone: 705/560-9595 • FAX: 705/560-9490

##### ■ **PACIFIC**

Unit 5, 7560 Vantage Way • Delta, BC V4G 1H1

Phone: 604/940-3301 • FAX: 604/940-3360

##### ■ **ONTARIO - SOUTH**

65 Worcester Road • Rexdale, ON M9W 5N7

Phone: 416/675-5575 • FAX: 416/675-5729

##### ■ **WESTERN**

15353 114th Avenue • Edmonton, AB T5M 3S9

Phone: 780/452-0680 • FAX: 780/452-2430