



RP-VAPS112

REPAIR PARTS FOR VAPS112 Adjustable Pipe Stand



PARTS ORDERING INFORMATION

When ordering parts, the following information is necessary for Victaulic to process the order promptly:

1. Tool Model Number – VAPS112
2. Tool Serial Number – The serial number can be found on the table of the pipe stand
3. Quantity, Item Number, Part Number, Description –
Example: (1), 20, R-151-900-HCT, Chain
4. Where to send the part(s) – Company Name and Address
5. To whose attention to send the part(s)
6. Purchase Order Number

Parts may be ordered from the nearest Victaulic Sales Office listed at the bottom of this page.

VICTAULIC® IS AN ISO 9001 CERTIFIED COMPANY

UNITED STATES

Phone: 1-800-PICK-VIC
(1-800-742-5842)
Fax: 610-250-8817
e-mail: pickvic@victaulic.com

CANADA

Phone: 905-884-7444
Fax: 905-884-9774
e-mail: viccanada@victaulic.com

EUROPE

Phone: 32-9-381-1500
Fax: 32-9-380-4438
e-mail: viceuro@victaulic.be

UK

Phone: 44(0)1438741100
Fax: 44(0)1438313883
e-mail: viceuro@victaulic.be

MIDDLE EAST

Phone: 971-4-883-88-70
Fax: 971-4-883-88-60
e-mail: viceuro@victaulic.be

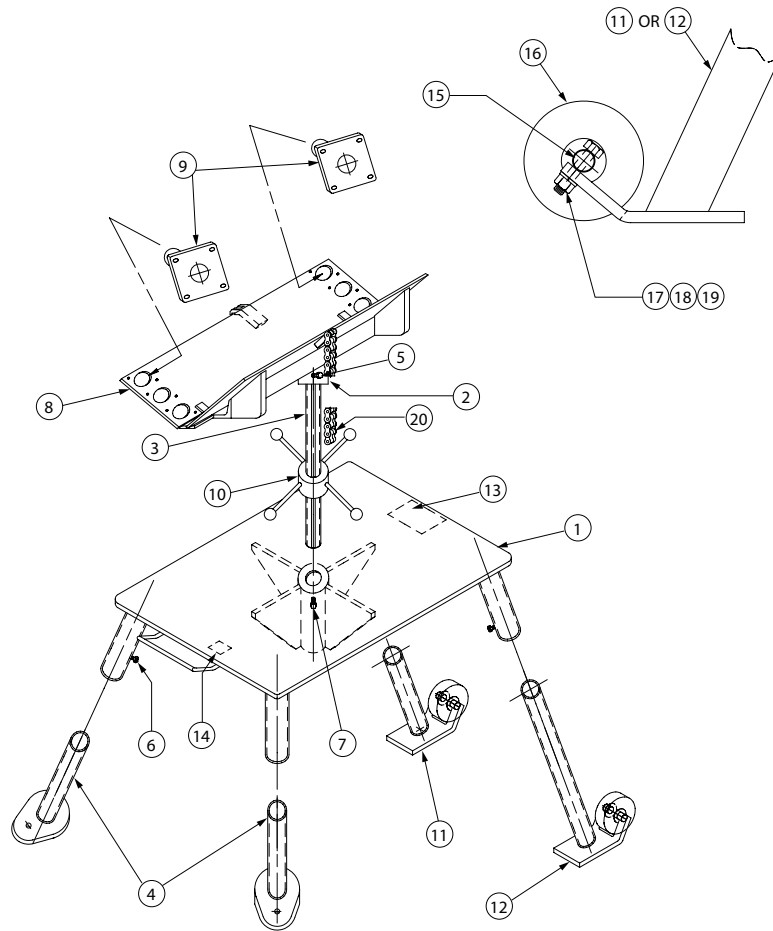
CENTRAL & SOUTH AMERICA

Phone: 610-559-3300
Fax: 610-559-3608
e-mail: vical@victaulic.com

ASIA-PACIFIC

Phone: 86-21-54253300
Fax: 86-21-54253671
e-mail: vicap@victaulic.com

VAPS112 ADJUSTABLE PIPE STAND



Item #	Part #	Qty.	Description
1	R-001-112-PNT	1	Table
2	R-002-112-MAC	1	Spacer
3	R-003-112-MAC	1	Adjusting Rod
4	R-004-112-PLT	2	Leg
5	N-S03-060-100	2	Socket Head Cap Screw, $\frac{3}{8}$ - 16 UNC x 1" Lg., Blk. Ox.
6	N-S01-050-100	4	$\frac{5}{16}$ - 18 UNC x 1" Lg. Hex Head Cap Screw, Pltd.
7	N-S03-050-100	1	Socket Head Cap Screw, $\frac{5}{16}$ - 18 UNC x 1" Lg., Blk. Ox.
8	R-120-112-PNT	1	Pipe Trough
9	R-100-112-PS0	4	Ball Transfer Sub-Assembly
10	R-300-112-PS0	1	Adjusting Nut Sub-Assembly
11	R-404-112-PLT	1	Roller Leg - L.H.
12	R-405-112-PLT	1	Roller Leg - R.H.
13	R-031-272-LAB	1	Warning Label
14	R-069-272-LAB	1	Name Plate
15	R-402-112-MAC	2	Axle
16	N-M05-000-005	2	Wheel
17	N-S01-050-108	4	Hex Head Screw, $\frac{5}{16}$ - 18 UNC x 1.5" Lg., Pltd.
18	N-W03-050-000	4	Standard Lock Washer, $\frac{5}{16}$ ", Pltd.
19	N-N01-050-000	4	Standard Hex Nut, $\frac{5}{16}$ - 18 UNC, Pltd.
20	R-151-900-HCT	1	Chain

Victaulic® Factory Representatives and Distributor Stocks Worldwide

Victaulic reserves the right to change product specifications, designs and standard equipment without notice and without obligation.