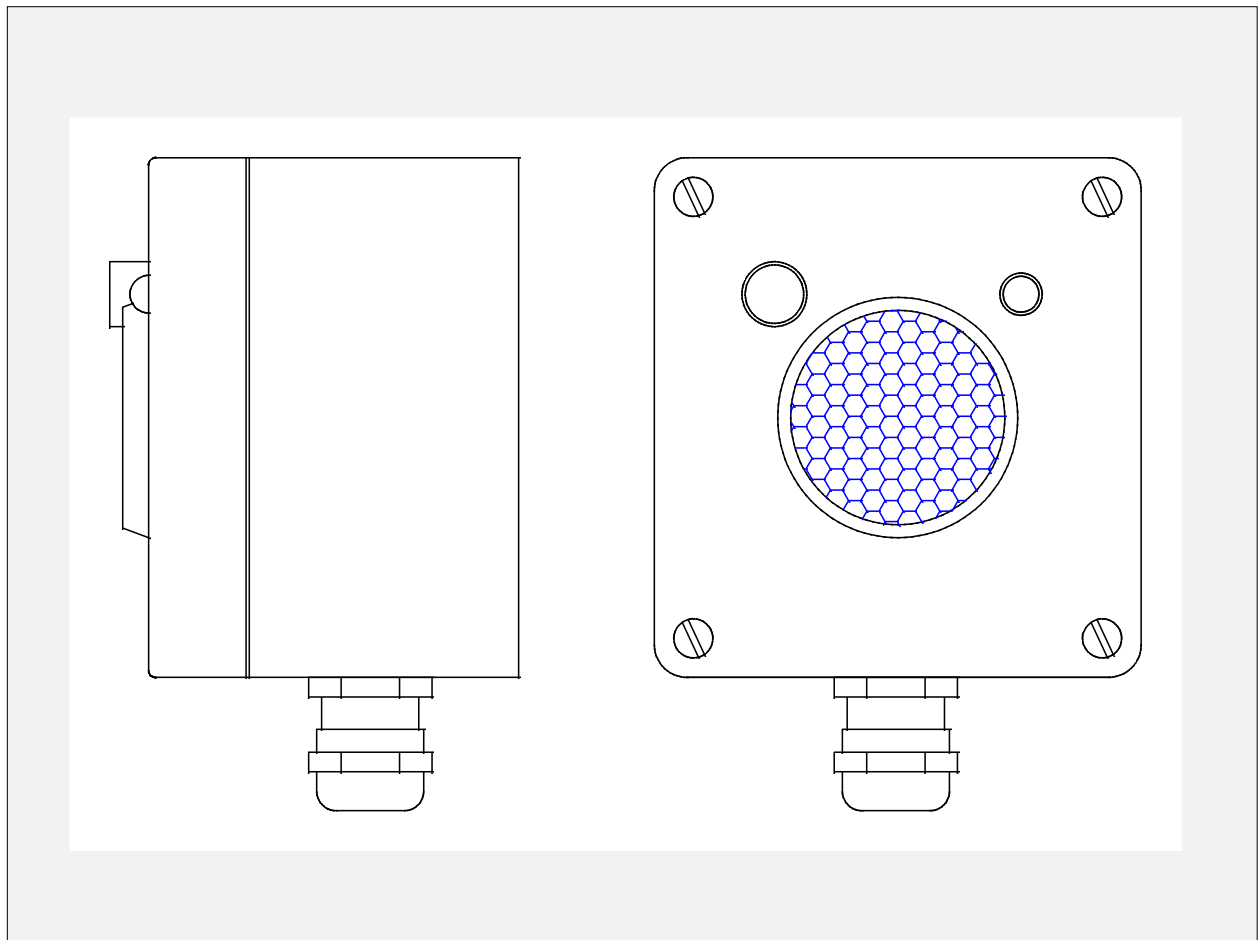


M90-RH3
23.11.1995

1/1
1094 080V2
RH3.DOC

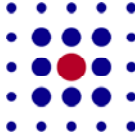
M90-RH3

The Remote Horn
for
M90 Chemical Warfare Agent Detector



ENVIRONICS OY

P.O. Box 349
50101 MIKKELI, FINLAND
Tel. +358-201-430 430
Telefax +358-201-430 440

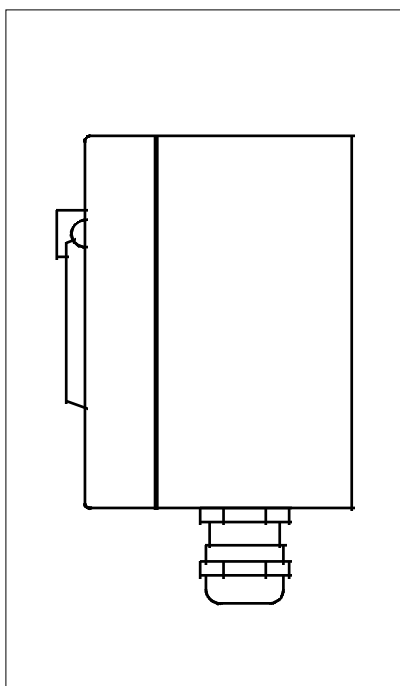


The RH3 is designed to operate with the M90 CWA Detector as an alarm extension for fixed installations, as well as vehicle and ship applications of the detector.

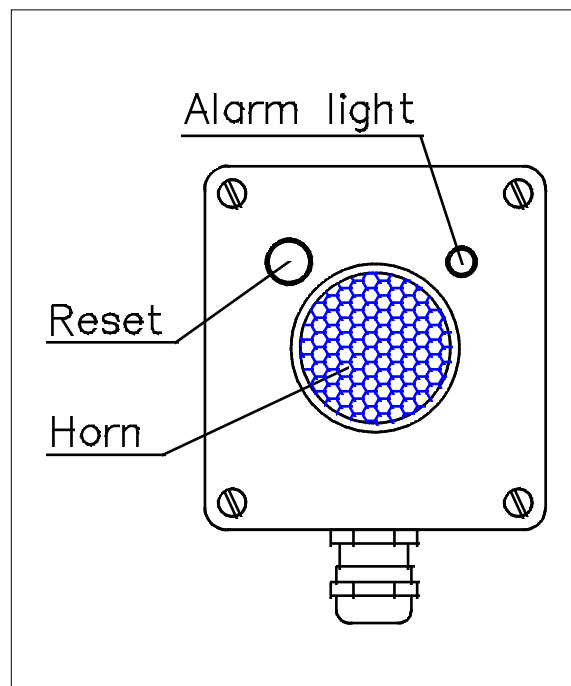
The Remote Horn can be mounted on a proper place, like the crew compartment, damage control center or any equal place in case of ship application.

The RH3 provides an audio and visual alarm regardless of the gas or its concentration. The transmission of the alarm signal is possible up to a distance of 2000 meters from the M90-CLU.

The Remote Horn does not need any external power, it operates with its own internal battery.

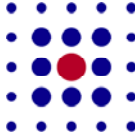


Side view of the M90-RH3



Front view of the M90-RH3

SPECIFICATIONS



M90-RH3
23.11.1995

3/3
1094 080V2
RH3.DOC

DIMENSIONS: Length 75 mm
 Width 62 mm
 Height 80 mm

WEIGHT: 0,4 kg

TEMPERATURE RANGE: 0°C to 55°C (32°F to 131°F)

HUMIDITY: up to 95% R.H.

CASING MATERIAL: Aluminium, painted with RAL 7001

BATTERY: 9V, PP3 type (6LR 61, 6 AM 6)

For additional information contact us or our local representative.
The manufacturer holds the right to change the technical specifications.