

### Protective solutions

#### Applications

The KK-1 dry toilet is designed and approved for use in public shelters.

#### Specification

Manufacturer of KK-1 dry toilet is Temet, Helsinki Finland.

The dry toilet comprises a bowl, lid and seat made of HDPE plastic. The disposable waste bags designed to be used in the KK-1 dry toilet are made of LDPE plastic.

The dry toilet is durable and hygienic even in most difficult storage and usage conditions, requires a minimum space in storing, and besides its original application is also suitable for household use.

The toilet has a volume of 30 liters and weight of 5 kg.

The toilets are designed to withstand a static load of 1500 N and a dropping test where the toilet unit filled with water is dropped at 200 mm height on hard surface.

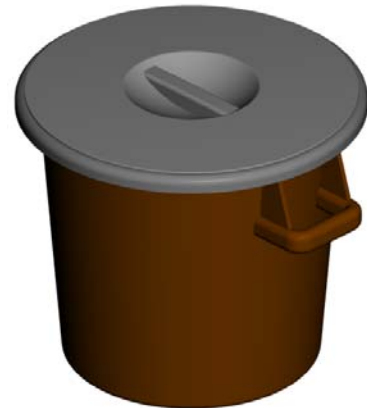
The toilets are supplied in standard packs of 5 units, size of the carton being 420 x 420 x 730 mm. Storing a pack of dry toilets requires only 0.2 m<sup>2</sup> of shelter floor area. The standard delivery contains a bowl, seat, lid and 16 plastic bags.

#### Design Criteria

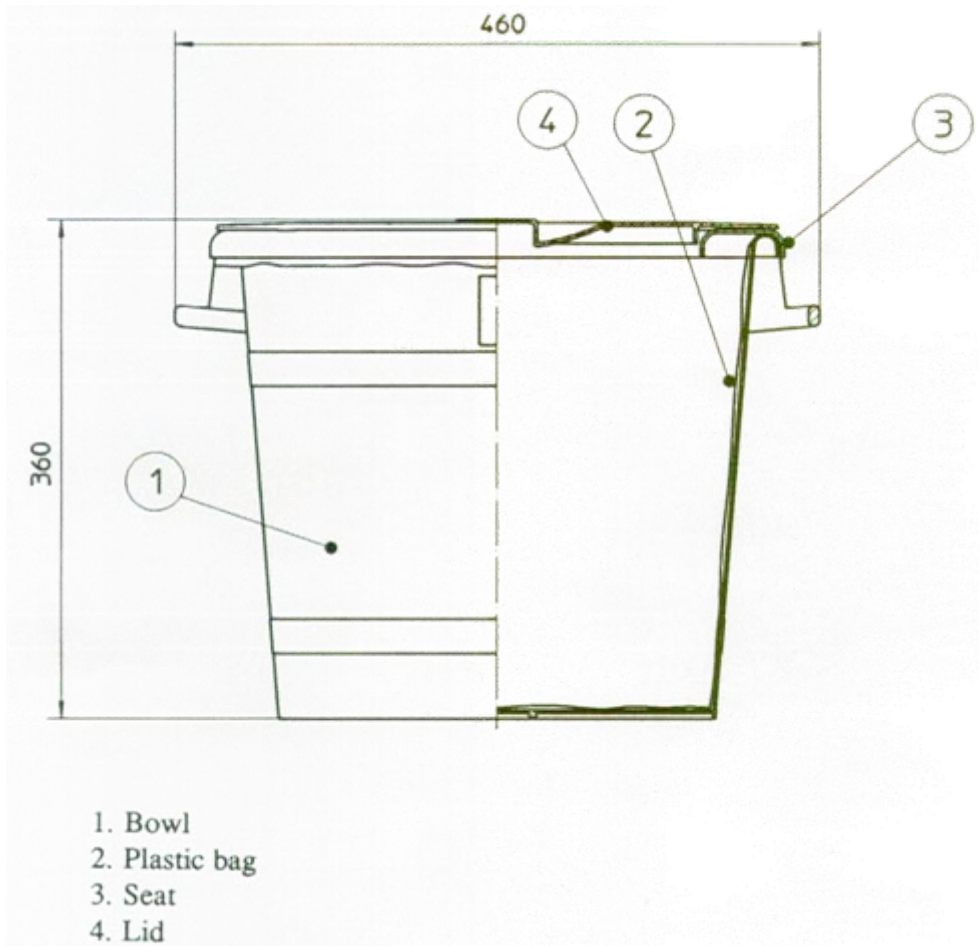
The dry toilet is made in accordance with specific provisions issued by the Finnish Ministry of Interior. The KK-1 dry toilet is type tested and approved for use by the Technical Research Centre of Finland / VTT Building Technology, an Independent Testing Authority mandated to perform type inspection for shelter equipment and systems by the Finnish Ministry of Interior. Type test reports as well as additional test data are available upon request.

#### The type test report

VTT type test report No. RTE10356/95



KK-1 Dry Toilet



**KK-1 Dry Toilet components and dimensions**

Design - Production – Installation – Maintenance - Consultation