

Protective solutions

Applications

The Temet KS and KS-K Gastight Closing Valves from 100 to 500 mm in nominal diameter are available with powerful quarter-turn electric actuators for applications requiring remote control or automatic operation of the valve. Type codes for valves with electric actuators are KS-EL respectively KS-K-EL.

Gastight Closing Valve Specification

Actuated KS-and KS-K gastight closing valves comprise stainless steel body with neoprene gaskets installed between two counter flanges. The closing element is a stainless steel flap installed within the body on a spindle with bearings.

Complete technical specification of the Temet KS and KS-K Gastight Closing Valves is featured in Temet product leaflets "Gastight Closing Valves KS-100 / KS-100-K ... KS-500 / KS-500-K".

Actuator Specification

Electric actuators with 2-stage maintenance free self locking reduction gear drive with adjustable torque and travel limit systems and handwheel for manual override.

Additional Features of the Actuators

The actuator is provided with a continuous visual position indicator.

The actuator limit switch setting is easy with a simple screw driver.

The actuator is fitted with a hand-wheel for manual emergency operation which is always engaged. The use of a spokeless design and the low rotational speed makes the hand-wheel safe for the user.

The actuator enclosures are weather-proof to IP67 and are also available as explosion-proof according to European Standards EN 50014 EN 50018 class Eex ed.

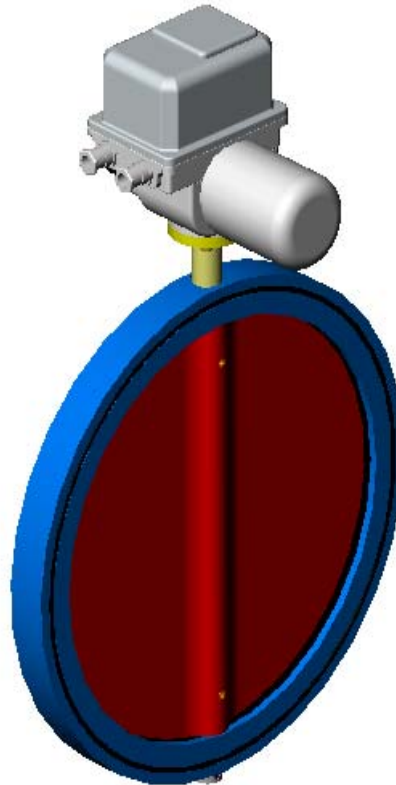
The motors are available as follows:

3 phase 400 V 50 Hz,

3 phase 460 V 60 Hz,

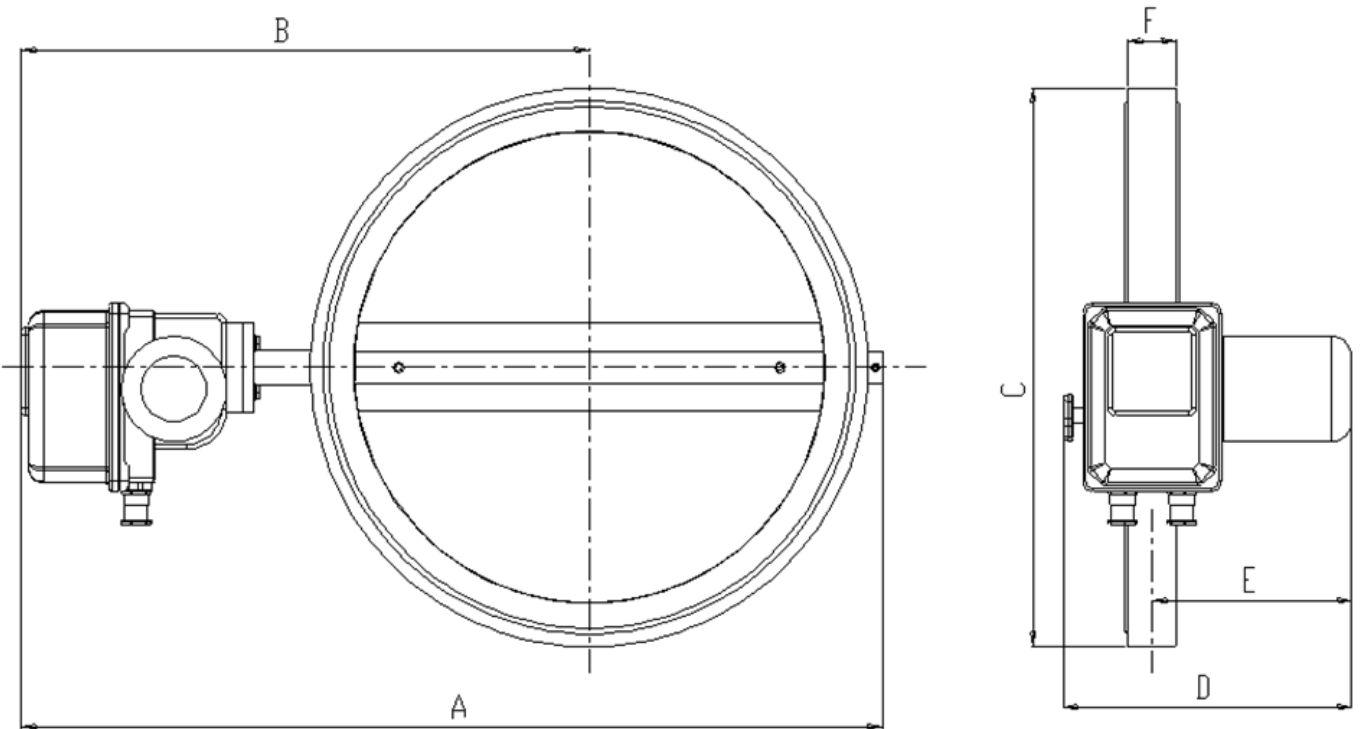
1 phase 230 V 50 Hz,

1 phase 115 V 60 Hz



Gastight Closing Valve KS-EL

Gastight Closing Valve KS-EL and KS-K-EL main dimensions



VALVE TYPE KS-	ACTUATOR	A	B	C	D	E	F	TOTAL WEIGHT KG
100	OA6	448	363	224	292	202	50	9
150	OA6	502	390	224	292	202	50	12
200	OA6	563	421	255	292	202	50	14
250	OA6	614	446	306	292	202	50	18
300	OA8	666	472	358	292	202	50	20
350	OA8	721	500	413	292	202	50	28
400	OA8	773	526	465	292	202	50	32
500	AS25	900	620	565	480	310	50	60

Design - Production – Installation – Maintenance - Consultation