

### Protective solutions

#### Applications

The Temet KS and KS-K Gastight Closing Valves are available provided with electric spring return actuators for applications requiring fast fail safe operation of the valve (valve returns into safe position without power supply) such as storage and distribution of dangerous liquids and gases, fire protection systems and chemical installation safety. Type codes for valves with electric spring return actuators are KS-ESR respectively KS-K-ESR.

#### Gastight Closing Valve Specification

Actuated KS-and KS-K gastight closing valves comprise stainless steel body with neoprene gaskets installed between two counter flanges. The closing element is a stainless steel flap installed within the body on a spindle with bearings

Complete technical specification of the Temet KS and KS-K Gastight Closing Valves is featured in Temet product leaflets "Gastight Closing Valves KS-100 ... KS-1000.

#### Actuator Specification

When energized the valve actuator operates the valve normally between the open and closed positions, and at the same time compresses the spring, which is held in the loaded position by the solenoid brake. In case of power failure to the solenoid, the spring will drive the actuator and the valve to the predetermined safety position (open or closed position).

The actuator is provided with a dashpot device controlling the speed of the spring action thus permitting a safe and shock-free operation of the valve. The valve closing/ opening speed is adjustable with a minimum safe drive time of 2 seconds. When the power supply is restored, the actuator is immediately available for normal operation without the need for resetting the spring.

#### Additional Features of the Actuators

The actuator is provided with mechanical position indicator.

The actuator limit switch setting is easy with a simple screw driver.

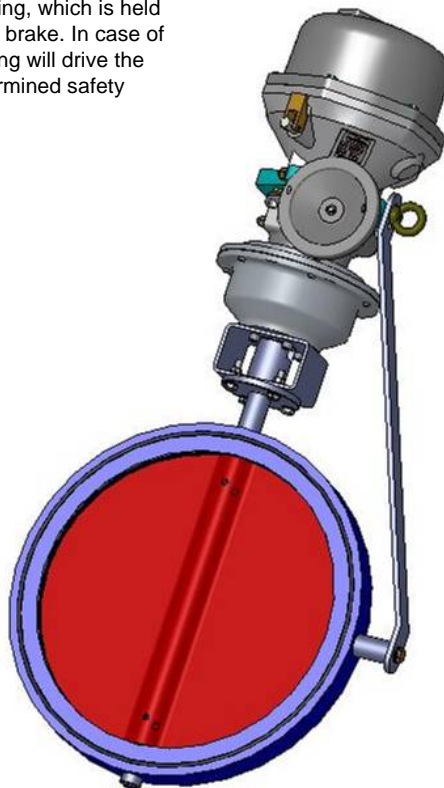
The actuator enclosures are weather-proof to IP67 and are also available as explosion-proof according to European Standards EN 50014 and EN 50018 class Eex ed.

The motors are available as follows:

3 phase 400 V,

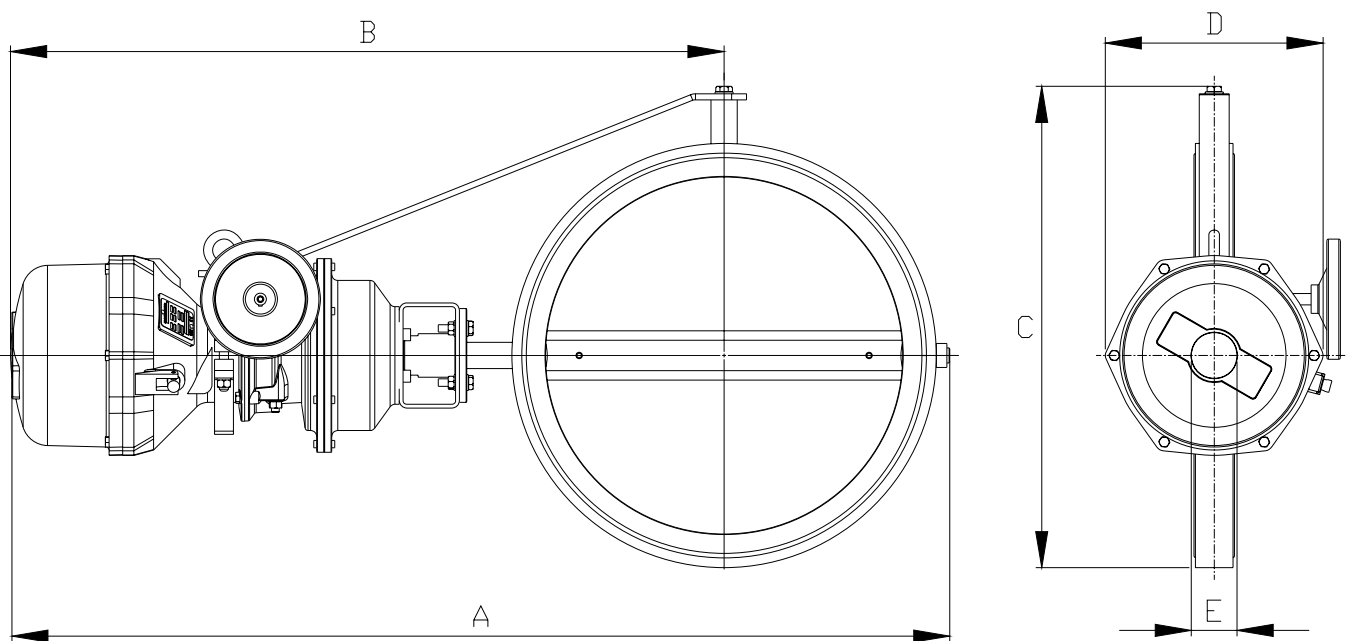
1 phase 230 V 50 Hz & 60Hz,

1 phase 115 V 60 Hz



Gastight Closing Valve KS-ESR

### Gastight Closing Valve KS-ESR and KS-K-ESR main dimensions



VALVE TYPE KS-	ACTUATOR	A	B	C	D	E	WEIGHT KG
100	FQ12	810	740	220	315	50	53
150	FQ12	860	760	310	315	50	55
200	FQ12	925	800	340	315	50	58
250	FQ12	975	825	385	315	50	62
300	FQ12	1030	850	434	315	50	65
350	FQ12	1085	880	489	315	50	73
400	FQ18	1135	905	545	315	50	83
500	FQ18	1250	970	645	315	50	95
600	FQ30	1550	1190	825	315	90	220
800	FQ50	1850	1390	915	495	90	275
1000	FQ50	1935	1175	1110	495	90	325

Design - Production – Installation – Maintenance - Consultation