

Protective solutions

Applications

The VS-1 water storage tank is designed and approved for use in public shelters.

Specification

Manufacturer of VS-1 water storage tank is Temet, Helsinki Finland.

The water storage tank comprises a container made of HDPE plastic, lid made of ABS plastic, siphon hose made of PVC plastic and tap made of HDPE. The materials applied are approved for use with foodstuff.

The tank is durable and hygienic even in most difficult storage and usage conditions, requires a minimum space when storing, and besides its original application is also suitable for household use.

The tanks are designed to withstand a dropping test where two tanks filled with water and stacked one upon the other are dropped at 200 mm height on hard surface.

The tank has a volume of 100 liters and weight of 5 kg.

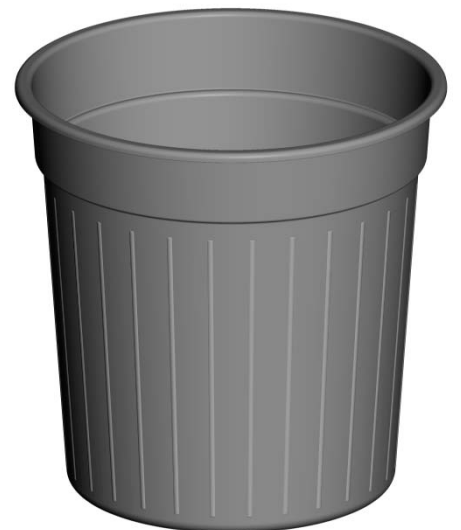
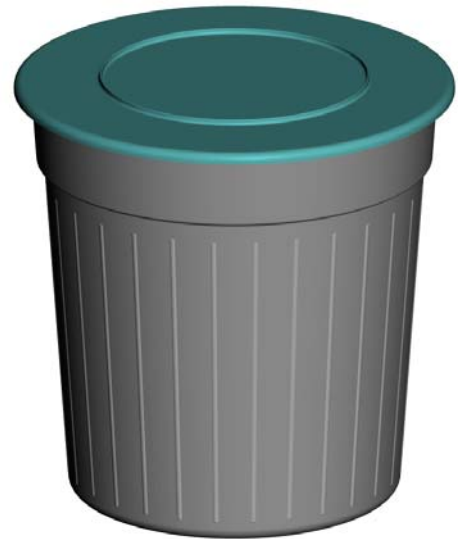
The tanks are wrapped in plastic and nested in standard packs of 5 units. The pack measures Ø 600 x 1050 mm. Storing a pack of tanks requires only 0.35 m² of shelter floor area. The standard delivery contains a tank, lid and a siphon hose fitted with a tap.

Design Criteria

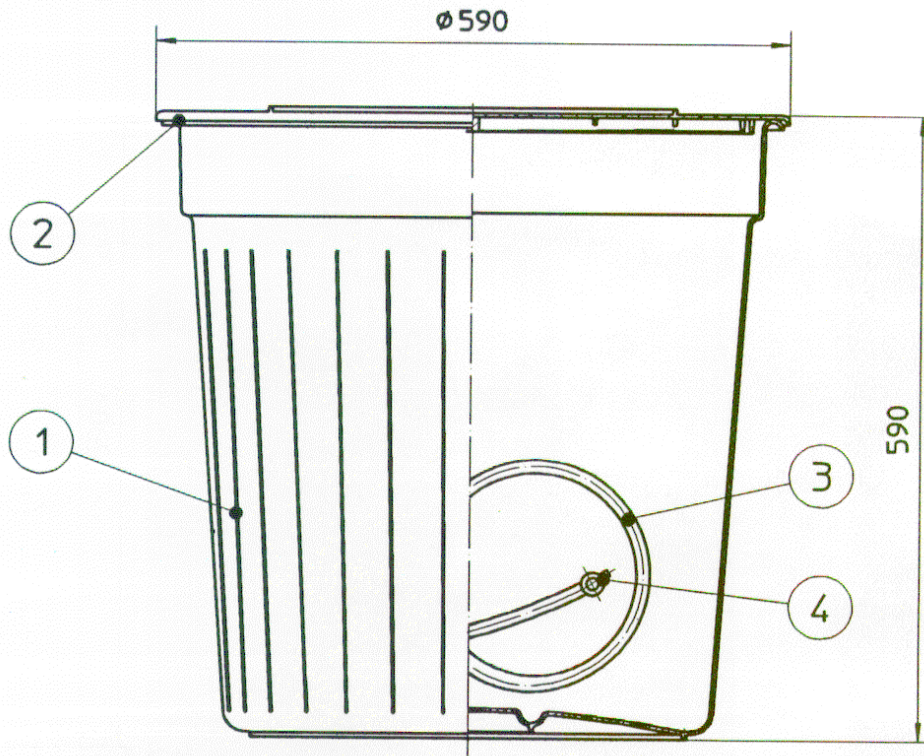
The water storage tank is made in accordance with specific provisions issued by the Finnish Ministry of Interior. The VS-1 water storage tank is type tested and approved for use by the Technical Research Centre of Finland / VTT Building Technology, an Independent Testing Authority mandated to perform type inspection for shelter equipment and systems by the Finnish Ministry of Interior. Type test reports as well as additional test data are available upon request.

Type test report

VTT type test report No. RTE10065/95



VS-1 Water Storage Tank



1. Lid
2. Tank
3. Siphon hose
4. Tap

**VS-1 Water Storage Tank
components and dimensions**

Design - Production – Installation – Maintenance - Consultation